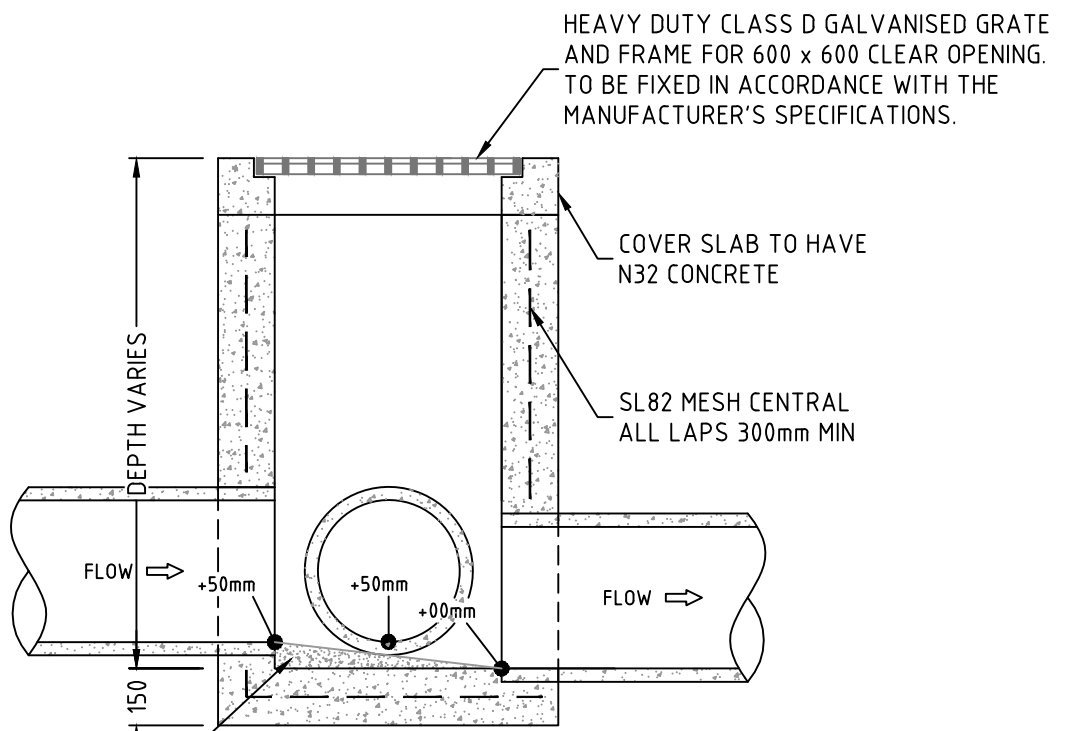


**GRATED INLET PIT TYPE 1**  
 FOR PIPE SIZES < 450φ  
 NOT TO SCALE



**SECTION A-A**  
 NOT TO SCALE

NOTE:  
 REFER SHEET 3 OF 3 FOR CONSTRUCTION SPECIFICATIONS AND FURTHER INFORMATION

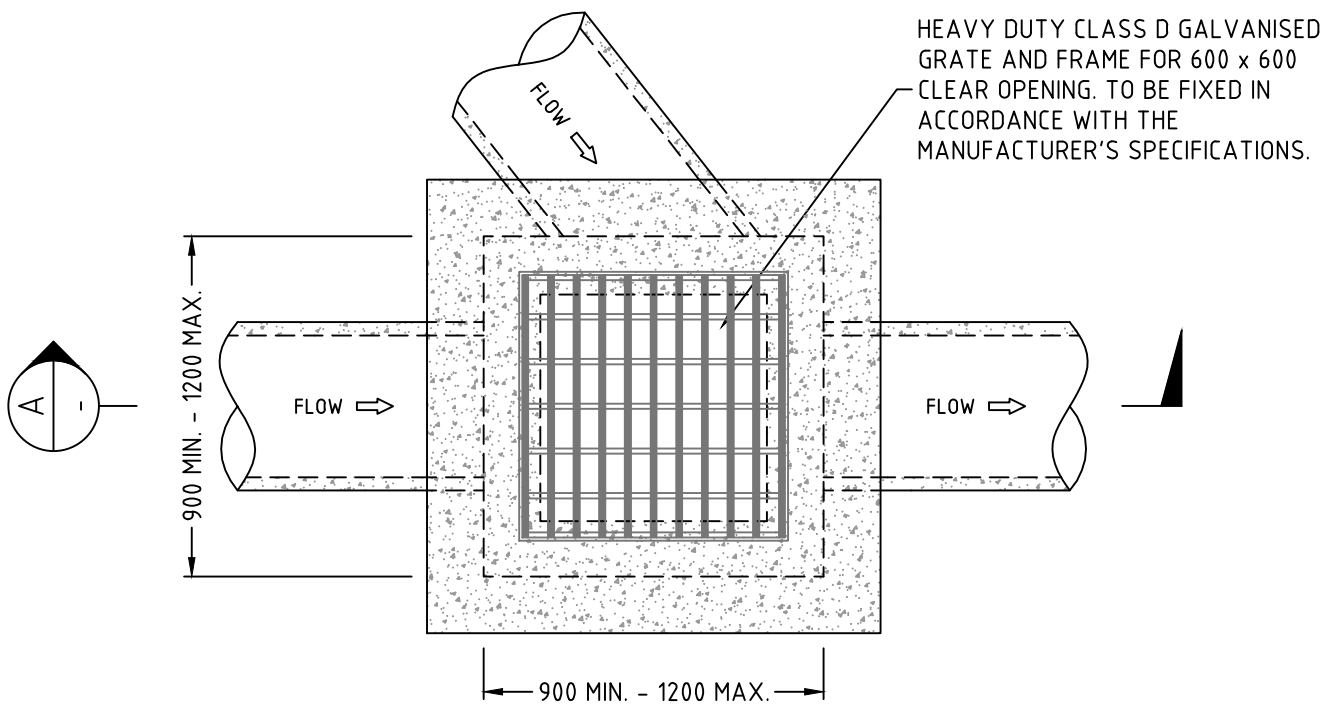


REVISIONS		
No.	BY	DATE
1	A. MOLLOY	MAY 2020
0	A. MOLLOY	MAY 2014
A	A. MOLLOY	MAR 2014

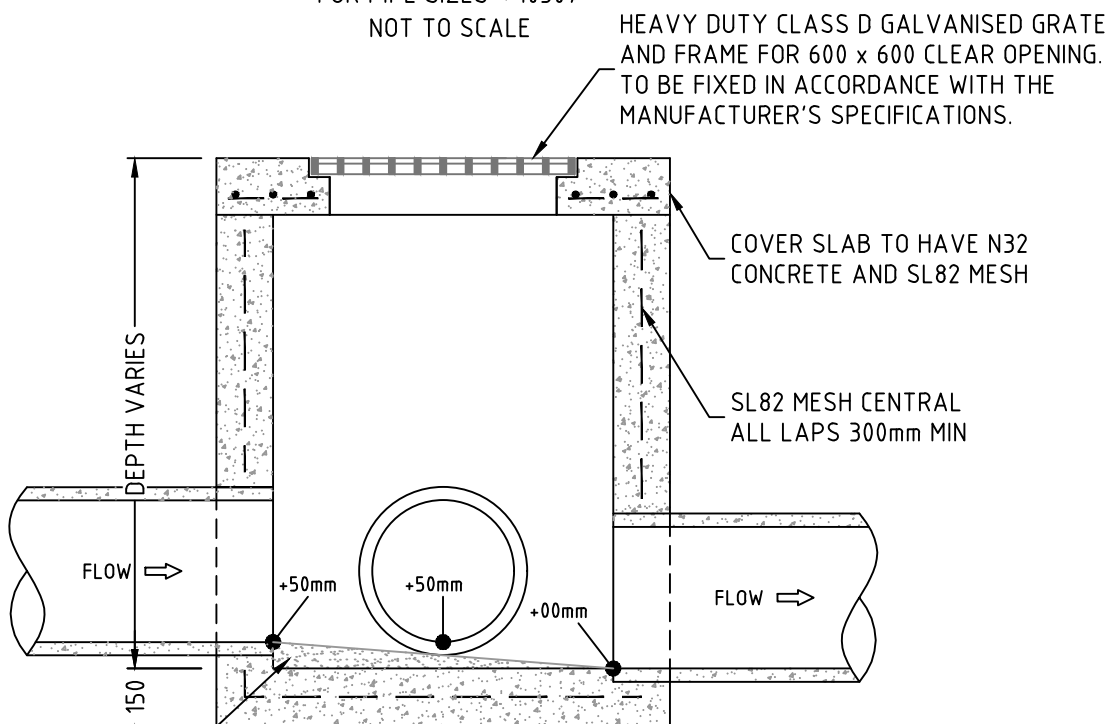
STANDARD DETAILS  
 GRATED INLET PITS  
 TYPE 1

ADELAIDE HILLS COUNCIL		
SHEET	1	of 3
REVISION	1	
DRAWING No.	SD23	

SCALE AS SHOWN



**GRADED INLET PIT TYPE 2**  
FOR PIPE SIZES < 1050φ  
NOT TO SCALE



MASS CONCRETE BENCHING. HAND TROWEL TO PROVIDE SMOOTH FINISH AND TRANSITION BETWEEN PIPES.

**SECTION A-A**  
NOT TO SCALE

NOTE:  
REFER SHEET 3 OF 3 FOR CONSTRUCTION SPECIFICATIONS AND FURTHER INFORMATION



REVISIONS		
No.	BY	DATE
1	A. MOLLOY	MAY 2020
0	A. MOLLOY	MAY 2014
A	A. MOLLOY	MAR 2014

STANDARD DETAILS

GRADED INLET PITS  
TYPE 2

SCALE AS SHOWN

ADELAIDE HILLS COUNCIL

SHEET  
2 of 3

REVISION  
1

DRAWING No.  
SD23

## GENERAL

- FORMWORK DESIGN AND CONSTRUCTION FORMED SURFACES: TO AS 3610 AND AS 3610.1.
- STEEL REINFORCEMENT FABRICATION AND FIXING TO AS3600.
- CONCRETE -MATERIALS AND CONSTRUCTION: TO AS 1379.
- CONCRETE GRADE TO BE N32 TO AS 3600.

## PREPARATION

- POOR SUBGRADES: PROOF ROLL OR OTHERWISE VERIFY EXISTING SUBGRADES ARE SOUND. IF WEAK OR OTHERWISE UNSUITABLE SUBGRADES ARE ENCOUNTERED, SEEK DIRECTION FROM SUPERINTENDENT.

## REINFORCEMENT

- GENERAL: PROVIDE PROPRIETARY CONCRETE, METAL OR PLASTIC SUPPORTS TO REINFORCEMENT IN THE FORM OF CHAIRS, SPACERS, STOOLS, HANGERS AND TIES, WITH THE FOLLOWING SPACINGS:
  - FABRIC: 800MM.
- SECURE THE REINFORCEMENT AGAINST DISPLACEMENT BY TYING AT INTERSECTIONS WITH EITHER WIRE TIES, OR CLIPS. BEND THE ENDS OF WIRE TIES AWAY FROM NEARBY FACES OF FORMS SO THAT THE TIES DO NOT PROJECT INTO THE CONCRETE COVER.
- PROVIDE ALL REINFORCEMENT IN THE LENGTHS DOCUMENTED. IF SPLICING IS REQUIRE CONFORM TO AS/NZS 4671.

## CONCRETE SUPPLY AND PLACE

- CLEAN AND MOISTEN THE AREA PRIOR TO PLACING CONCRETE: REMOVE ANY PONDING WATER.
- COMPACTION: USE IMMERSION AND SCREED VIBRATORS ACCOMPANIED BY HAND METHODS AS APPROPRIATE TO REMOVE ENTRAPPED AIR AND TO FULLY COMPACT THE MIX.
- DURING PLACEMENT AND PRIOR TO SETTING, DO NOT EXPOSE CONCRETE TO RAIN.
- TEMPERATURE: CONCRETE SHALL NOT BE POURED OR PLACED IF TEMPERATURE IS BELOW 5°, OR ABOVE 35°.
- PROVIDE CONCRETE SURFACES WHICH ARE TRUE AND EVEN, FREE FROM STONE POCKETS, DEPRESSIONS OR PROJECTIONS BEYOND THE SURFACE. ENSURE ALL ARISES ARE SHARP AND TRUE, AND MOLDINGS EVENLY MITRED OR ROUNDED.

## CURING

- CURING: CURE CONTINUOUSLY FROM COMPLETION OF FINISHING FOR 7 DAYS, DURING WHICH THE AIR TEMPERATURE IN CONTACT WITH THE CONCRETE IS ABOVE 10°C. IF USING A CURING COMPOUND -PROVIDE A UNIFORM CONTINUOUS FLEXIBLE COATING WITHOUT VISIBLE BREAKS OR PINHOLES, WHICH REMAINS UNBROKEN AT LEAST FOR THE REQUIRED CURING PERIOD AFTER APPLICATION.
- PROTECT FROM TRAFFIC FOR 48 HOURS MINIMUM.



REVISIONS		
No.	BY	DATE
1	A. MOLLOY	MAY 2020
0	A. MOLLOY	MAY 2014
A	A. MOLLOY	MAR 2014

STANDARD DETAILS

GRATED INLET PITS  
SPECIFICATIONS

SCALE AS SHOWN

ADELAIDE HILLS COUNCIL

SHEET

3 of 3

REVISION

1

DRAWING No.

SD23