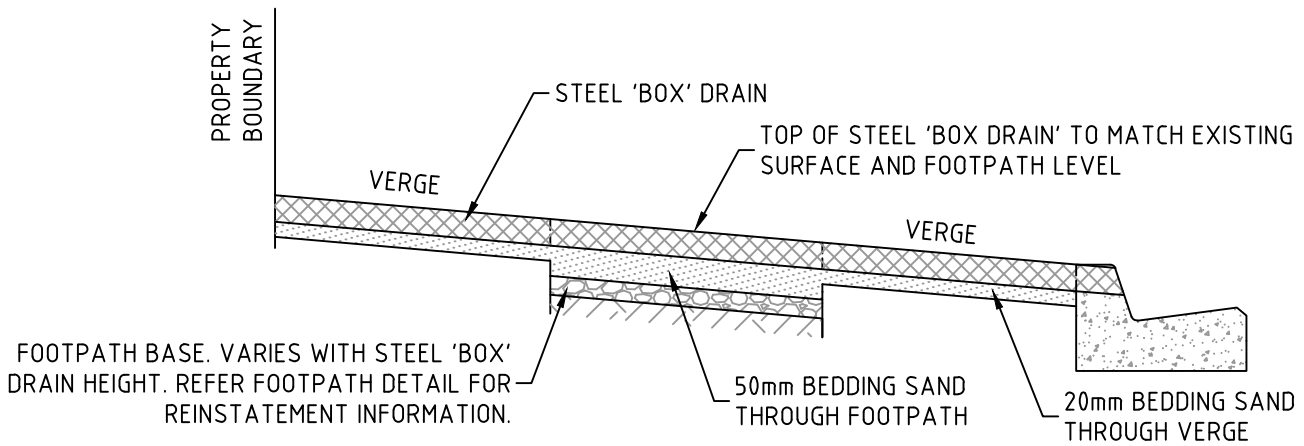


PLAN VIEW
NOT TO SCALE



TYPICAL CROSS SECTION
NOT TO SCALE

NOTES:
REFER SHEET 2 OF 2 FOR OUTLET DETAIL



REVISIONS		
No.	BY	DATE
1	A. MOLLOY	MAY 2020
0	A. MOLLOY	MAY 2014
A	A. MOLLOY	MAR 2014

STANDARD DETAILS

STORMWATER DISCHARGE TO STREET
BOX DRAIN FROM PROPERTY BOUNDARY TO KERB

SCALE AS SHOWN

ADELAIDE HILLS COUNCIL		
SHEET	1	of 2
REVISION	1	
DRAWING No.	SD26	

6mm (MIN) HOT DIP GALVANISED
CHEQUER TOP PLATE, FULLY
WELDED TO BOTH SIDES

EXISTING SURFACE LEVEL

100-300mm (VARIES)

20mm BEDDING SAND
THROUGH BASE

100-150mm

50mm BEDDING SAND
THROUGH FOOTPATH

6mm (MIN) HOT DIP
GALVANISED MILD
STEEL PLATE DRAIN

50mm

FOOTPATH BASE. REFER
FOOTPATH DETAIL FOR
REINSTATEMENT
INFORMATION.

TYPICAL CROSS SECTION - THROUGH DRAIN

NOT TO SCALE

3mm THICK ALUMINIUM CHEQUER
PLATE 'TOP HAT' SECTION

90Ø MIN UPVC PIPE

EXISTING SURFACE LEVEL

140mm MIN

80mm MIN

20mm BEDDING
SAND

FOOTPATH BASE. REFER FOOTPATH
DETAIL FOR REINSTATEMENT
INFORMATION.

ALTERNATE CROSS SECTION

'TOP HAT' CONFIGURATION

NOT TO SCALE



REVISIONS

No.	BY	DATE
1	A. MOLLOY	MAY 2020
0	A. MOLLOY	MAY 2014
A	A. MOLLOY	MAR 2014

STANDARD DETAILS

STORMWATER DISCHARGE TO STREET
BOX DRAIN DETAIL

SCALE AS SHOWN

ADELAIDE HILLS COUNCIL

SHEET
2 of 2

REVISION
1

DRAWING No.
SD26