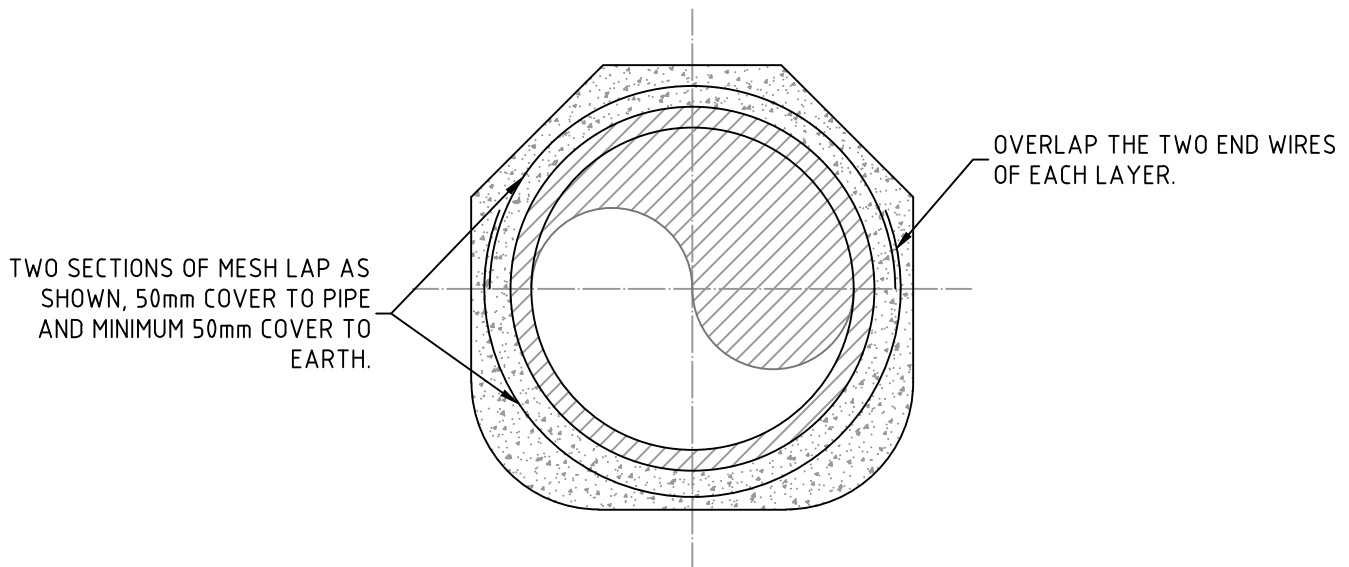


CONCRETE PIPE BANDAGE JOINT  
NOT TO SCALE



SECTION A-A  
NOT TO SCALE

NOTES:  
 MINIMUM COVER TO REINFORCEMENT = 50mm.  
 CONCRETE SHALL BE N32 GRADE.  
 CONCRETE FINISH SHALL BE SMOOTH INSIDE PIPE FOR FULL CIRCUMFERENCE.



REVISIONS		
No.	BY	DATE
1	A. MOLLOY	MAY 2020
0	A. MOLLOY	MAY 2014
A	A. MOLLOY	MAR 2014

STANDARD DETAILS

CONCRETE PIPE BANDAGE JOINT

SCALE AS SHOWN

ADELAIDE HILLS COUNCIL

SHEET  
1 of 1

REVISION  
1

DRAWING No.  
SD28